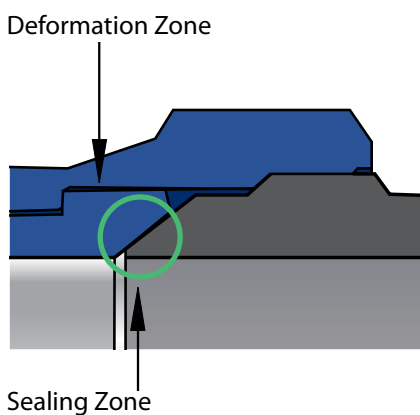


RYCO JSEAL™ THE NEW STANDARD IN JIC FITTINGS

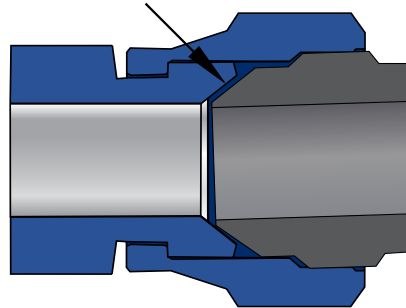
At RYCO Hydraulics, we are dedicated to delivering better solutions to our customers.

In early 2014 we undertook the challenge of designing and developing a JIC fitting that equaled or bettered the performance of ORFS, it was a challenge that we welcomed.

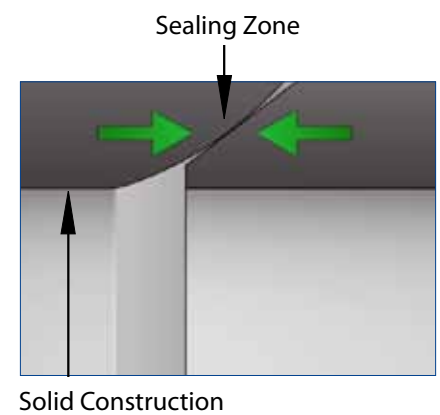
First we looked at the JIC male tip and how this can deform.



Next we considered side load and where the JIC fitting can misalign.



Then we looked at JIC's bearing area and what it would take to make this stronger.



Through RYCO Hydraulics' extensive research and development programs, our team is proud to launch a new and improved JIC standard - RYCO JSEAL™.

Based on our rigorous testing, both in the laboratory and on the assembly line, JSEAL™ will revolutionise the fluid conveying industry. The design of JSEAL™ features a convex female seat that is engineered to be used with any male JIC fitting.

With a repositioned strike zone away from the male tip, JSEAL™ delivers up to double the strength. Due to the solidity of the nut, JSEAL™ delivers double the torque and eliminates side load issues. In fact, combined with its convex seat, JSEAL™ can handle up to double the working pressure. RYCO'S JSEAL™ means increased efficiency, improved productivity, unparalleled reliability and ongoing cost effectiveness.

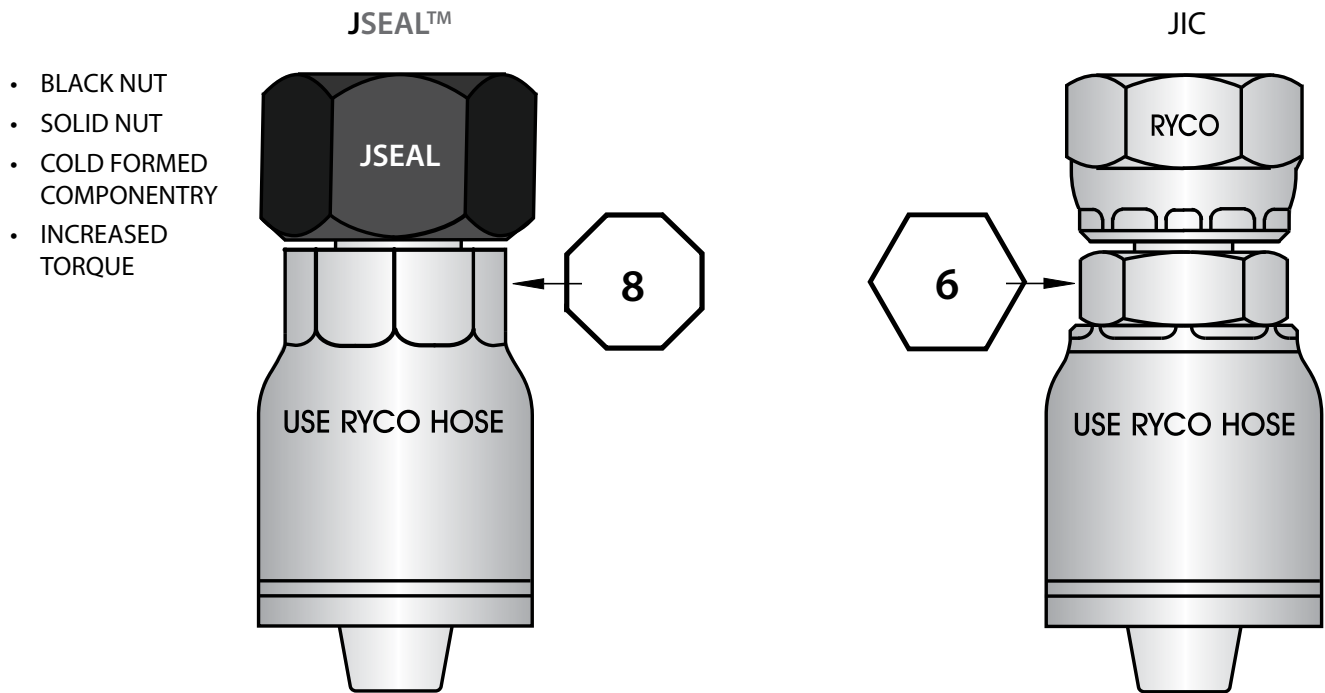
For the customer this means NO Sweating, NO Weeping, NO Stretching, NO Cracking and NO Leaks. And because of its distinctive black nut, you will always know its JSEAL™. With JSEAL™ you can expect savings on labour, savings on warranty claims and savings on part replacement.

After all, JSEAL™ is built to last.

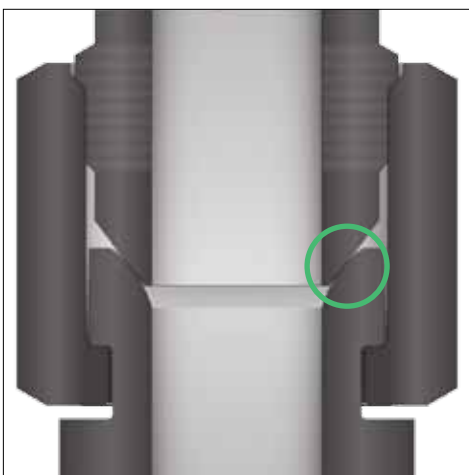
To learn more about RYCO JSEAL™ view our short clip at: youtu.be/cZ4E9W3ldis

JSEAL™ VERSUS JIC

JSEAL™ is the new standard in JIC Fittings and is fully compatible with male JIC connectors.



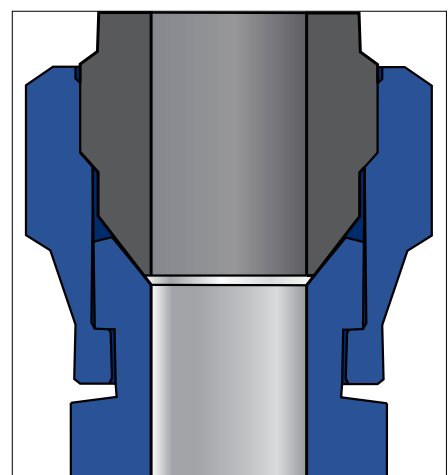
JSEAL™ CONNECTION



JSEAL™ HAS A CONVEX FEMALE DESIGN THAT IS:

- FULLY INTERCHANGEABLE WITH JIC CONNECTIONS
- LEAK FREE
- CRACK RESISTANT
- STRONGER
- VIBRATION RESISTANT
- RESISTANT TO EXCESSIVE TORQUE AND STRETCHING
- EASIER TO INSTALL
- EASIER TO CONNECT

CONVENTIONAL JIC CONNECTION



For any additional information please contact RYCO Product Management or your local RYCO Representative.

RYCO CHINA

P: +86 411 8886 0006

E: Sales@RYCO.cn



www.RYCO.com.au

All Rights Reserved

Printed in China

Copyright: April 2015

Released: April 2015