

RYCO T6000 Coupling Release

RYCO is proud to release the new RYCO T6000 coupling specially designed to be used on heavy mining and construction equipment.

The T6000 is a heavy duty One-Piece Non-Skive coupling.

The new T6000 coupling incorporates a longer ferrule with an integrated support trumpet, providing exceptional resistance to hose twist.

RYCO's T6000 has an unmatched service life in high-impulse systems with 1 Million Cycle performance at reduced bend radius.

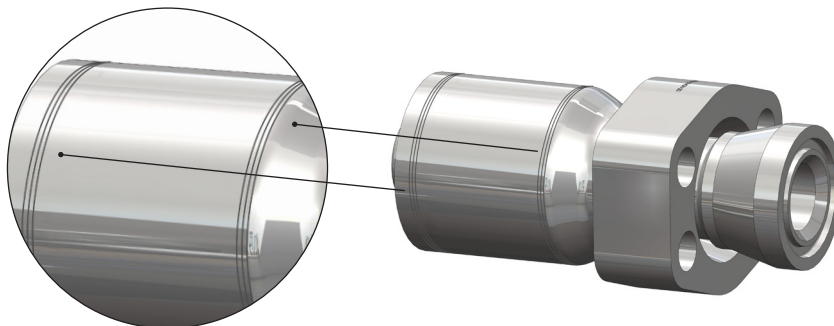
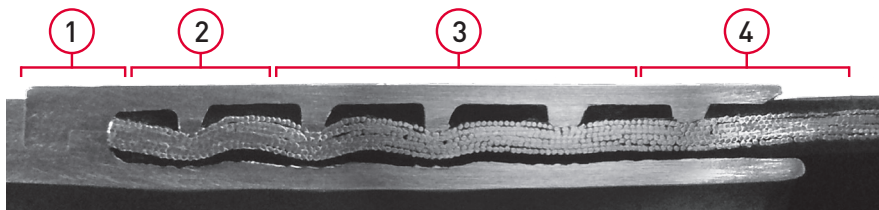


T6000 is compatible with H6000 (3/4" to 2") and H5000 (2") hose with a vast range of terminations.

The T6000 Series Hose Coupling has an Integrated Trumpet in the ferrule that supports the hose through extreme bending and flexing during operation.

When coupled with RYCO's superior H6000 series 420 bar/6100 psi hose, the T6000 Series Hose Couplings provide Increased Pulse Life and Million Cycle performance, all at a reduced Minimum Bend Radius.

1. Strong, Heavy-Duty connection.
2. Tough locking tooth traps hose for positive retention.
3. Controlled wire grip (waveform) and tube sealing.
4. Integrated support trumpet provides graduated tube compression and eliminates effects of hose twist.



T6000 has **Two sets of THREE series code grooves** (one at each end of the ferrule).

For any additional information please contact RYCO Product Management or your local RYCO representative.