

Crimp Chart Addendum

C6000 Hose with T7000 Series Couplings

RYCO wish to advise that we have engineered a new combination for RYCO C6000D and C6000S hoses matched with RYCO T7000 series couplings.

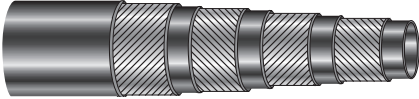

The assembly parameters for these new hose and coupling combinations are listed below, and are a supplement to the current editions of the RYCO Crimp Charts:

RYCO Metric Crimp Chart Document RH-WI-61 (Revision 9, dated 2017-12-21)

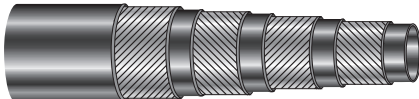

RYCO Imperial Crimp Chart Document RH-WI-61A (Revision 9, dated 2017-12-21)

Please advise your staff and customers of the addition of these matched hose and coupling combinations.

RYCO Metric Crimp Chart (dimensions in millimetres)

ULTRA FLEXIBLE ISOBARIC SPIRAL HOSE				T7000 COUPLINGS			
							
DIEHARD	SLIDER			CRIMP Ø	MARK LENGTH	RYCO RAPID	
C6000D	C6000S			±0,20mm	mm	DIE COLOUR	RAPID NUMBER
C6012D	C6012S			34,6	32		

RYCO Imperial Crimp Chart (dimensions in inches)

ULTRA FLEXIBLE ISOBARIC SPIRAL HOSE				T7000 COUPLINGS			
							
DIEHARD	SLIDER			CRIMP Ø	MARK LENGTH	RYCO RAPID	
C6000D	C6000S			±0.008"	inch	DIE COLOR	RAPID NUMBER
C6012D	C6012S			1.362	1.26		

To further explore the benefits of RYCO's manufacturing and product technologies, please visit www.RYCO.com.au

For any special product requirements or additional information, please contact your local RYCO representative.

HOSE

ISOBARIC SPIRAL

C6000D

ULTRA FLEXIBLE
EXTRA ABRASION RESISTANT
FRAS
ISOBARIC SPIRAL HOSE
420 BAR / 6100 PSI
MILLION CYCLE



RECOMMENDED FOR:

Ultra flexibility and small bend radius provides easy installation in compact environments.
Extremely high pressure hydraulic oil lines.
Constant pressure (Isobaric) 420 bar / 6100 psi in all sizes.

PERFORMANCE:

Meets or Exceeds the Performance Requirements of: ISO 18752-CC, SAE 100R15.

TUBE:

Black, oil resistant synthetic rubber.

REINFORCEMENT:

Four alternating layers of spiralled high tensile steel wire.

COVER:

DIEHARD™ Black, oil and extra abrasion resistant synthetic rubber. Flame Resistant, Anti-Static (FRAS) & MSHA compliant. Highly visible layline branding for easy and permanent identification. No skiving required with T7000 Series Crimp Couplings.

FEATURES:

Ultra flexibility combined with a small bend radius reduces effort during assembly and installations. Tested to **1 million impulse cycles** at up to 1/2 SAE 100R15 Minimum Bend Radius. Constant pressure 420 bar / 6100 psi in all sizes for easy system design and hose selection.

FRAS - FLAME RESISTANCE AND ANTI-STATIC:

DIEHARD™ complies with Flame Resistant and Electrical Resistance (Anti-Static) requirements of Australian Standard AS 2660 and Methods of Test AS 1180.10B and 13A. Meets Flame Resistant Designation "U.S. MSHA" of the US Department of Labor, Mine Safety and Health Administration.

TEMPERATURE RANGE:

-40°C to +121°C (-40°F to +250°F).

WORKING PRESSURE:

Maximum working pressures are based on 4:1 safety factor (maximum working pressure to minimum burst pressure).

COUPLINGS:

NON-SKIVE ONE-PIECE CRIMP

T7000 Series (size -12)

C6000D - DIEHARD ULTRA FLEXIBLE ISOBARIC SPIRAL HOSE															
PART NO	HOSE SIZE	NOMINAL HOSE ID		NOMINAL HOSE OD		MAXIMUM WORKING PRESSURE		MINIMUM BURST PRESSURE		MINIMUM BEND RADIUS		AVERAGE WEIGHT		ONE PIECE	
Hose	DN	Dash	mm	inch	mm	inch	bar	psi	bar	psi	mm	inch	kg/m	lb/ft	NON-SKIVE
C6012D	19	-12	19,1	3/4	28,5	1.12	420	6100	1680	24400	115	4.5	1,15	0.77	T7000

Refer to the latest RYCO Crimp Charts for crimp diameter and mark lengths.

HOSE

ISOBARIC SPIRAL

C6000S

ULTRA FLEXIBLE
EXTREMELY ABRASION RESISTANT
ISOBARIC SPIRAL HOSE
420 BAR / 6100 PSI
MILLION CYCLE



RECOMMENDED FOR:

Ultra flexibility and small bend radius provides easy installation in compact environments.
Extremely high pressure hydraulic oil lines.
Constant pressure (Isobaric) 420 bar / 6100 psi in all sizes.

PERFORMANCE:

Meets or Exceeds the Performance Requirements of: ISO 18752-CC, SAE 100R15.

TUBE:

Black, oil resistant synthetic rubber.

REINFORCEMENT:

Four alternating layers of spiralled high tensile steel wire.

COVER:

SLIDER Black, oil and extremely abrasion resistant synthetic rubber sheathed with a layer of extremely abrasion resistant polyethylene. Flame Resistant, MSHA compliant. Highly visible layline branding for easy and permanent identification. No skiving required with T7000 Series Crimp Couplings.

FEATURES:

Ultra flexibility combined with a small bend radius reduces effort during assembly and installations. Tested to **1 million impulse cycles** at up to 1/2 SAE 100R15 Minimum Bend Radius. Constant pressure 420 bar / 6100 psi in all sizes for easy system design and hose selection.

MSHA - FLAME RESISTANCE:

SLIDER complies with Flame Resistant requirements of Australian Standard AS 2660 and Methods of Test AS 1180.10B. Meets Flame Resistant Designation "U.S. MSHA" of the US Department of Labor, Mine Safety and Health Administration.

TEMPERATURE RANGE:

-40°C to +121°C (-40°F to +250°F).

WORKING PRESSURE:

Maximum working pressures are based on 4:1 safety factor (maximum working pressure to minimum burst pressure).

COUPLINGS:

NON-SKIVE ONE-PIECE CRIMP

T7000 Series (size -12)

C6000S - SLIDER ULTRA FLEXIBLE ISOBARIC SPIRAL HOSE																
PART NO	HOSE SIZE		NOMINAL HOSE ID		NOMINAL HOSE OD		MAXIMUM WORKING PRESSURE		MINIMUM BURST PRESSURE		MINIMUM BEND RADIUS		AVERAGE WEIGHT		COUPLING SERIES	
			mm	inch	mm	inch	bar	psi	bar	psi	mm	inch	kg/m	lb/ft	NON-SKIVE	
C6012S	19	-12	19,1	3/4	28,5	1.12	420	6100	1680	24400	115	4.5	1,15	0.77	T7000	

Refer to the latest RYCO Crimp Charts for crimp diameter and mark lengths.