

Crimp Chart Addendum

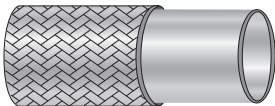
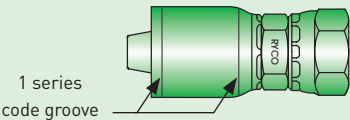
RTH16 Hose with TT000 Series Couplings

In line with our commitment to continuous improvement, RYCO wish to advise that the crimp diameter for RYCO RTH16 hose with matched RYCO TT000 series couplings has been refined as per outlined in the tables below, and is effective immediately.

The assembly parameters listed below supersede those listed in the current editions of the RYCO Crimp Charts:
RYCO Metric Crimp Chart Document RH-WI-61 (Revision 9, dated 2017-12-21)
RYCO Imperial Crimp Chart Document RH-WI-61A (Revision 9, dated 2017-12-21)

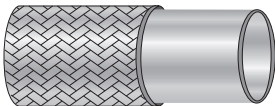
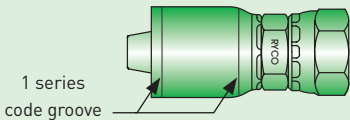
Please advise your staff and customers that fabricate RTH16 assemblies of this crimp diameter amendment.

RYCO Metric Crimp Chart (dimensions in millimetres)

TEFLON® HOSE				TT000 COUPLINGS			
							
TEFLON®				CRIMP Ø	MARK LENGTH	RYCO RAPID	
RTH1				±0,10mm	mm	DIE COLOUR	RAPID NUMBER
RTH16				16,3	24	GREY	532

TEFLON® DuPont Registered TM

RYCO Imperial Crimp Chart (dimensions in inches)

TEFLON® HOSE				TT000 COUPLINGS			
							
TEFLON®				CRIMP Ø	MARK LENGTH	RYCO RAPID	
RTH1				±0.004"	inch	DIE COLOR	RAPID NUMBER
RTH16				0.642	0.94	GRAY	532

TEFLON® DuPont Registered TM

To further explore the benefits of RYCO's manufacturing and product technologies, please visit www.RYCO.com.au

For any special product requirements or additional information, please contact your local RYCO representative.